

**REMARKS**

Amendments have been made to Paragraphs [0008], [0009], [0028], [0035], [0036], [0038], [0045], [0046], [0047], [0054], [0056], [0057], [0059] and [0060] to correct numerous minor errors in the Specification related to updating prior application information and to correct trademark references, grammar, punctuation, spelling, a reference numeral and the like, and to insert references to appropriate Figures. The Abstract has been revised to insert reference numerals and to make two formal and grammatical corrections. In the Drawings, Figures 4 and 6 have been corrected in the lead lines for several reference numerals. Claim 1 has been corrected regarding a grammatical error.

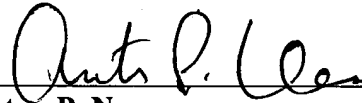
No new matter has been entered by the present amendment, and early examination is respectfully requested.

Respectfully submitted,

J. Daniel Raulerson, et al

November 30, 2005  
(Date)

By: \_\_\_\_\_



**Anton P. Ness**  
Registration No. 28,453  
**Monte & McGraw, P.C.**  
4092 Skippack Pike  
P.O. Box 650  
Skippack, PA 19474  
Telephone: 610-584-9400  
Facsimile: 610-584-9783  
E-Mail: aness@montemcgraw.com  
**Customer Number: 33941**

**In the Drawings:**

Please amend the drawings as indicated in red in the attached marked-up copy and Replacement Sheets enclosed herewith. In Figure 4, the lead lines for oval cross sections 117 and 137 are corrected, and in Figure 6, the lead line for recesses 174 is corrected.



Express Mail Label No.: ER463996628US  
Title of Invention: Splittable Multiple Catheter Assen.  
Inventors: RAULERSON et al. Filing Date: October 28, 2003  
Serial No.: Attorney Docket No.: MED-0065  
Attorney: Joseph E. Maenner, Monte & McGraw, P.C. 4092  
Skipack Pike, P.O. Box 650 Skipack, PA 19474  
Sheet 2 of 10

MARKED UP COPY  
Preliminary Amendment

2/10

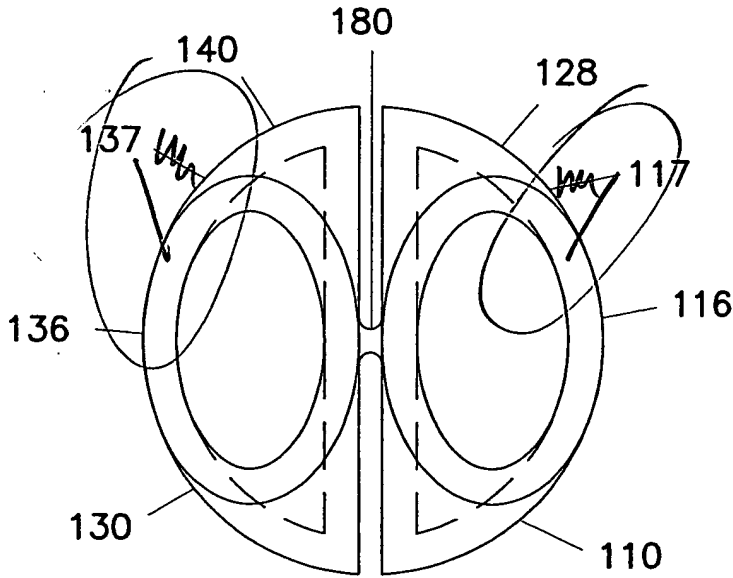


FIG. 4

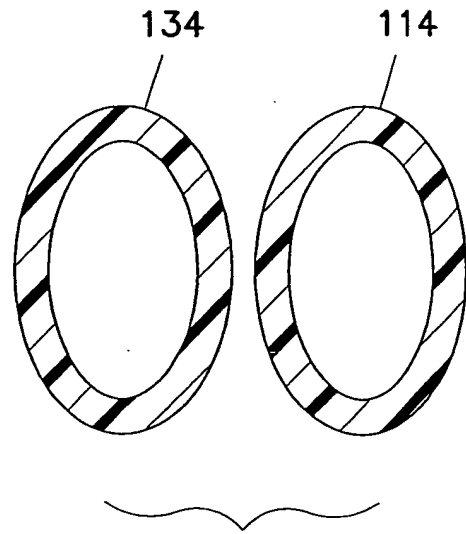


FIG. 3

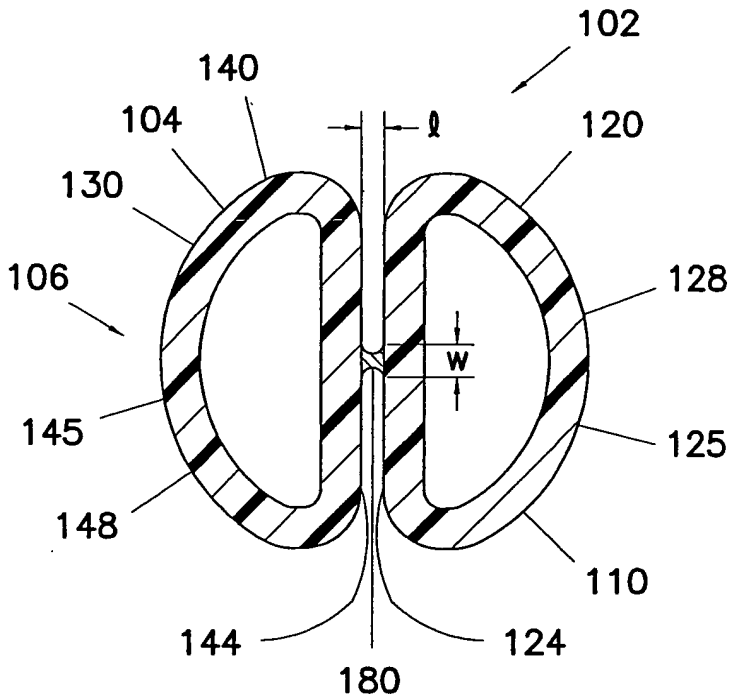


FIG. 2

4/10

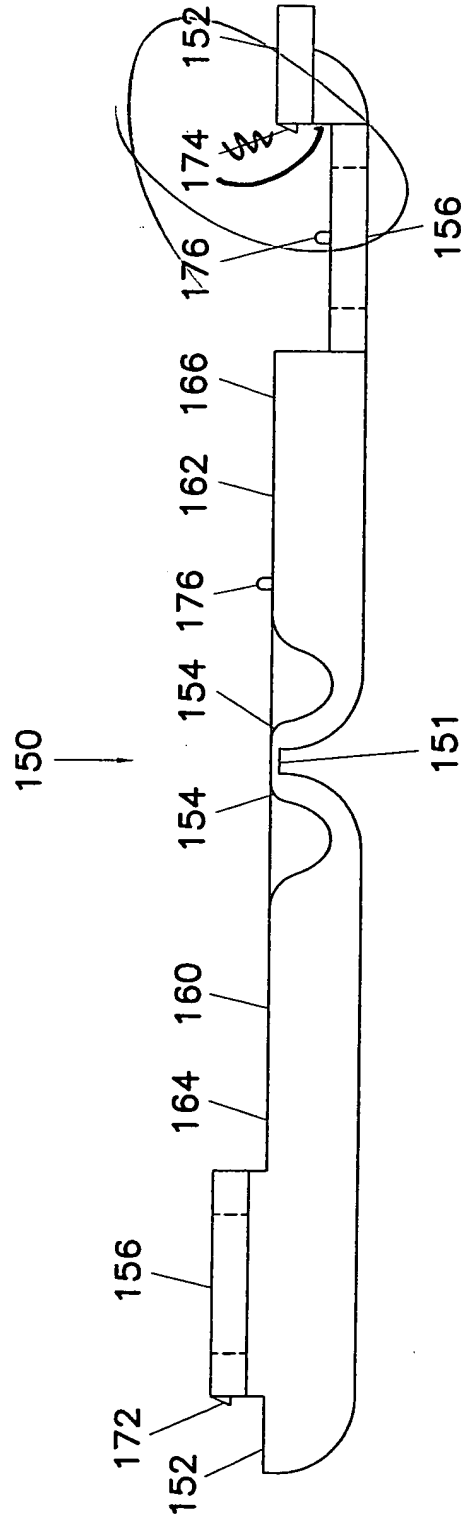


FIG. 6